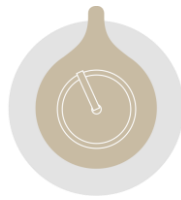


WATER MONITORING SOLUTIONS

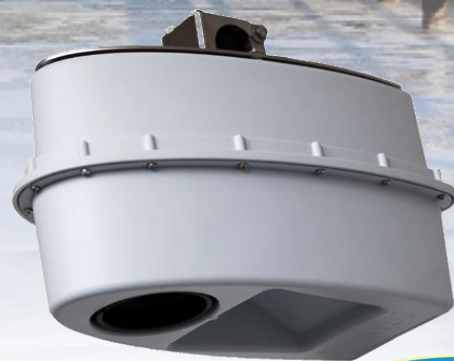


Non-contact radar flowmeter

SurfaceFLO



- Non-contact flow measurement
- Accurate flow measurement also with high turbidity or solid contents
- Analogic or digital outputs
- Waterproof (IP68)
- Suitable for wastewater, industry and natural environment



HYDREKA

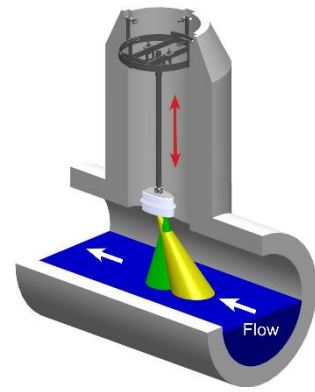
www.hydreka.com

A HALMA COMPANY

Applications

The SurfaceFLO flowmeter is used for several applications:

- Dimensioning and control of plant and processes,
- Discharge monitoring for (re)adjustment of calculation models,
- Flow measurement monitoring in aggressive environments,
- Any other open channels and wastewater applications.



Technical specifications

| | | | | |
|---|------------------------------|---|---------------|---------------|
| General | Dimensions (mm) | 272 x 153 x 186 (L x W x H) 1 bracket for pipe with \varnothing 30 mm | | |
| | Total weight | 1.55 kg | | |
| | Protection class | IP 68 | | |
| | Power supply | 6 ... 30 V DC | | |
| | Consumption at 12 V | Standby approx. 1 mA / active measurement approx. 140 mA | | |
| | Operation temperature | -35° ... 60° C | | |
| | Storage temperature | -40° ... 60° C | | |
| | Protection | Over voltage protection, reverse power protection, lightning protection | | |
| Level measurement | Serial type | SurfaceFLO-3 | SurfaceFLO-6 | SurfaceFLO-8R |
| | Measuring technology | Ultrasonic | Ultrasonic | Radar |
| | Level range | 0.3 ... 3 m | 0.35 ... 6 m | 0.05 ... 8 m |
| | Precision | 2 mm | | |
| | Accuracy | +/- 0.25 % FS | +/- 0.25 % FS | +/- 2mm |
| | Frequency | 26 GHz (K-Band) | | |
| | Opening angle | 15° | 12° | 10° |
| Velocity measurement | Detectable measurement range | 0.10 ... 15 m/s (depending on flow conditions) | | |
| | Accuracy | +/- 0.01 m/s; +/- 1 % FS | | |
| | Resolution | 1 mm/s | | |
| | Direction recognition | +/- | | |
| | Measurement duration | 5 ... 240 sec. | | |
| | Measurement interval | 8 sec. ... 5 hrs | | |
| | Measurement frequency | 24 GHz (K-Band) | | |
| | Radar opening angle | 12° | | |
| | Distance to water surface | 0.10 ... 35.0 m | | |
| Necessary minimum wave height | 3 mm | | | |
| Automatically vertical angle compensation | Accuracy | +/- 1° | | |
| | Resolution | +/- 0.1° | | |
| Interface | Analog output (SQ-analog) | 2 x 4 ... 20 mA (1 x level; 1 x discharge or velocity - selectable) | | |
| | Digital interface | <ul style="list-style-type: none"> ○ 1 x SDI-12 - 1 x RS 485 or Modbus ○ Transfer rate: 1.2 to 115,2 kBd - Protocol: various ASCII-protocols ○ Output: discharge, flow velocity, level, quality parameters | | |
| | Pulse output | Pulse per volume (selectable units) | | |

Products available for sales and rental. Please contact us for more information.